

TYPE ALND

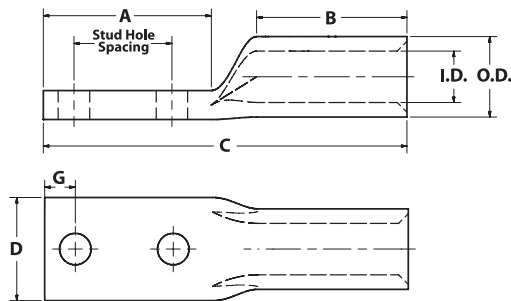
Features

- Manufactured from high strength aluminum alloy
- Electro-Tin plated
- Chamfered entry
- Color coded end cap
- Roll marked
- Two bolt hole pattern
- Pre-filled with DE-OX® oxide inhibiting compound
- Range taking
- Suitable for use in circuits rated 35KV or less, proper high voltage spacing and insulation techniques must be used
- Dual rated AL9CU to 90° C

Benefits

- Offers maximum conductivity and excellent crimping characteristics
- Provides low contact resistance
- For easy conductor insertion
- Identifies the proper compression die
- For easy identification and proper location of crimps
- Provides maximum surface contact, secure attachment, and stabilization
- Prevents oxides from forming & promotes connector longevity
- Permits inventories to be kept to a minimum
- Application versatility
- For use with aluminum or copper conductor

A



Catalog Number	Wire Size	Expanded Wire Range*	Bolt Size	Stud Hole Dia.	Stud Hole Spacing	Dimensions - in (mm)							Die Color Code	Die Index
						A	B	C	D	G	O.D.	I.D.		
ALND-250-38-1	250kcmil	250kcmil-1/0 AWG	3/8	0.406 (10.3)	1.000 (25.4)	2.000 (50.8)	1.535 (39.0)	4.324 (109.8)	1.264 (32.1)	0.414 (10.5)	0.924 (23.5)	0.595 (15.1)	Red	324
ALND-250-38-134	250kcmil	250kcmil-1/0 AWG	3/8	0.406 (10.3)	1.750 (44.5)	2.600 (66.0)	1.535 (39.0)	5.000 (127.0)	1.264 (32.1)	0.414 (10.5)	0.924 (23.5)	0.595 (15.1)	Red	324
ALND-250-12-1	250kcmil	250kcmil-1/0 AWG	1/2	0.562 (14.3)	1.000 (25.4)	2.190 (55.6)	1.535 (39.0)	4.500 (114.3)	1.264 (32.1)	0.546 (13.9)	0.924 (23.5)	0.595 (15.1)	Red	324
ALND-250-12-134	250kcmil	250kcmil-1/0 AWG	1/2	0.562 (14.3)	1.750 (44.5)	3.042 (77.3)	1.535 (39.0)	5.557 (141.1)	1.264 (32.1)	0.546 (13.9)	0.924 (23.5)	0.595 (15.1)	Red	324
ALND-300-38-1	300kcmil	300kcmil-2/0 AWG	3/8	0.406 (10.3)	1.000 (25.4)	1.970 (50.0)	1.535 (39.0)	4.345 (110.4)	1.381 (35.1)	0.414 (10.5)	1.010 (25.7)	0.650 (16.5)	Blue	470
ALND-300-38-134	300kcmil	300kcmil-2/0 AWG	3/8	0.406 (10.3)	1.750 (44.5)	2.643 (67.1)	1.535 (39.0)	5.023 (127.6)	1.381 (35.1)	0.414 (10.5)	1.010 (25.7)	0.650 (16.5)	Blue	470
ALND-300-12-1	300kcmil	300kcmil-2/0 AWG	1/2	0.562 (14.3)	1.000 (25.4)	2.143 (54.4)	1.535 (39.0)	4.519 (114.8)	1.381 (35.1)	0.546 (13.9)	1.010 (25.7)	0.650 (16.5)	Blue	470
ALND-300-12-134	300kcmil	300kcmil-2/0 AWG	1/2	0.562 (14.3)	1.750 (44.5)	3.000 (76.2)	1.535 (39.0)	5.122 (130.1)	1.381 (35.1)	0.546 (13.9)	1.010 (25.7)	0.650 (16.5)	Blue	470
ALND-350-38-1	350kcmil	350kcmil-3/0 AWG	3/8	0.406 (10.3)	1.000 (25.4)	1.982 (50.3)	2.353 (59.8)	5.310 (134.9)	1.516 (38.5)	0.414 (10.5)	1.105 (28.1)	0.720 (18.3)	Brown	299
ALND-350-38-134	350kcmil	350kcmil-3/0 AWG	3/8	0.406 (10.3)	1.750 (44.5)	2.625 (66.7)	2.353 (59.8)	5.661 (143.79)	1.516 (38.5)	0.414 (10.5)	1.105 (28.1)	0.720 (18.3)	Brown	299
ALND-350-12-1	350kcmil	350kcmil-3/0 AWG	1/2	0.562 (14.3)	1.000 (25.4)	2.169 (55.1)	2.353 (59.8)	5.480 (139.2)	1.516 (38.5)	0.546 (13.9)	1.105 (28.1)	0.720 (18.3)	Brown	299
ALND-350-12-134	350kcmil	350kcmil-3/0 AWG	1/2	0.562 (14.3)	1.750 (44.5)	3.025 (76.8)	2.353 (59.8)	6.065 (154.1)	1.516 (38.5)	0.546 (13.9)	1.105 (28.1)	0.720 (18.3)	Brown	299
ALND-400-38-1	400kcmil	400kcmil-4/0 AWG	3/8	0.406 (10.3)	1.000 (25.4)	1.993 (50.6)	2.303 (58.5)	4.920 (125.0)	1.623 (41.2)	0.414 (10.5)	1.188 (30.2)	0.762 (19.4)	Green	472
ALND-400-38-134	400kcmil	400kcmil-4/0 AWG	3/8	0.406 (10.3)	1.750 (44.5)	2.709 (68.8)	2.303 (58.5)	5.635 (143.1)	1.623 (41.2)	0.468 (11.9)	1.188 (30.2)	0.762 (19.4)	Green	472
ALND-400-12-1	400kcmil	400kcmil-4/0 AWG	1/2	0.562 (14.3)	1.000 (25.4)	2.167 (55.0)	2.303 (58.5)	5.091 (129.3)	1.623 (41.2)	0.546 (13.9)	1.188 (30.2)	0.762 (19.4)	Green	472
ALND-400-12-134	400kcmil	400kcmil-4/0 AWG	1/2	0.562 (14.3)	1.750 (44.5)	3.055 (77.6)	2.303 (58.5)	5.990 (152.1)	1.623 (41.2)	0.546 (13.9)	1.188 (30.2)	0.762 (19.4)	Green	472
ALND-500-38-1	500kcmil	500kcmil-4/0 AWG	3/8	0.406 (10.3)	1.000 (25.4)	2.005 (50.9)	2.565 (65.2)	5.410 (137.4)	1.802 (45.8)	0.414 (10.5)	1.315 (33.4)	0.854 (21.7)	Pink	300
ALND-500-38-134	500kcmil	500kcmil-4/0 AWG	3/8	0.406 (10.3)	1.750 (44.5)	2.627 (66.7)	2.565 (65.2)	6.075 (154.3)	1.802 (45.8)	0.414 (10.5)	1.315 (33.4)	0.854 (21.7)	Pink	300
ALND-500-12-1	500kcmil	500kcmil-4/0 AWG	1/2	0.562 (14.3)	1.000 (25.4)	2.171 (55.1)	2.565 (65.2)	5.590 (142.0)	1.802 (45.8)	0.546 (13.9)	1.315 (33.4)	0.854 (21.7)	Pink	300
ALND-500-12-134	500kcmil	500kcmil-4/0 AWG	1/2	0.562 (14.3)	1.750 (44.5)	3.020 (76.7)	2.565 (65.2)	6.450 (163.8)	1.802 (45.8)	0.546 (13.9)	1.315 (33.4)	0.854 (21.7)	Pink	300

For Tool and Die Information Refer to Tooling Information Page Series: ALNS, ALND, ALNN, ASN

* When installed with specified dieless tools

Tested to UL 486A/B, UL File E6207